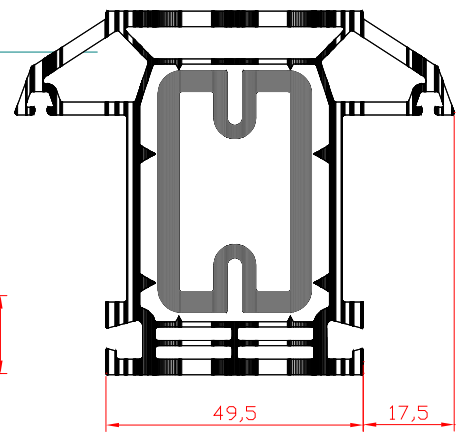
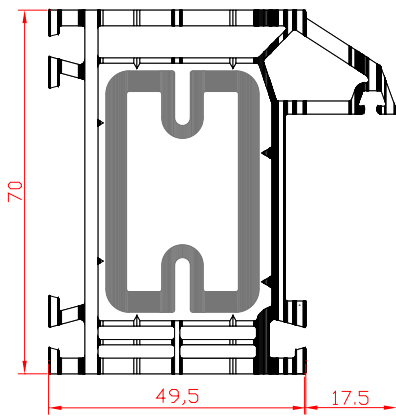


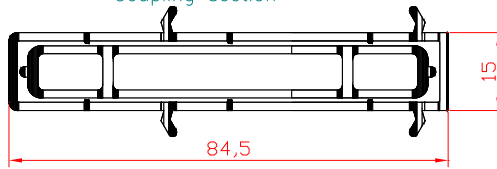
c10393088;7801 Outerframe
7839 Reinforcement

c10393088;Profile 22 Outerframe and Ancillaries

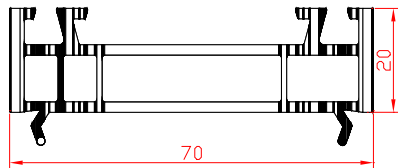
c10393088;7802 Outerframe
7839 Reinforcement



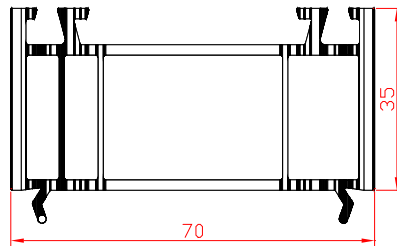
c10393088;2234 15mm
Coupling section



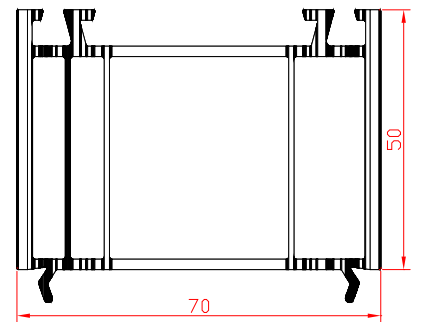
c10393088;7726 20mm Add-on



c10393088;7727 35mm Add-on



c10393088;7763 50mm Add-on

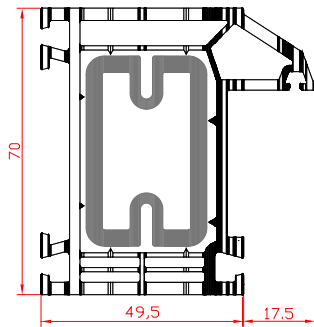


Permadoor Limited,
Station Road Industrial Estate,
Upton-Upon-Severn
Worcestershire
WR8 0RX
01684 595200

All Dimensions are nominal.
DO NOT SCALE FROM THIS DRAWING.
Notes: This chart is for identification purposes only
and should not be used as the sole source
for technical reference.

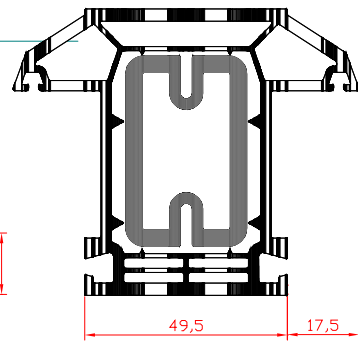
All information in this publication is provided for guidance only and is given in good faith. As it is company policy to continually improve products, methods and materials, changes of specification may be made from time to time without prior notice. This statement does not affect your statutory rights.

c10393088;7801 Outerframe
7839 Reinforcement



c10393088;Profile 22 Outerframe and Ancillaries

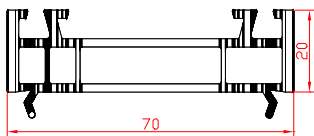
c10393088;7802 Outerframe
7839 Reinforcement



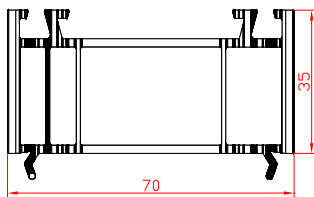
c10393088;2234 15mm
Coupling section



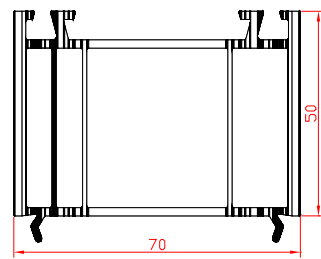
c10393088;7726 20mm Add-on



c10393088;7727 35mm Add-on



c10393088;7763 50mm Add-on



Permador Limited,
Station Road Industrial Estate,
Upton-upon-Severn
Worcestershire
WR8 0DT
01684 595200

All Dimensions are nominal.
DO NOT SCALE FROM THIS DRAWING.
Note: This chart is for identification purposes only
and should not be used as the sole source
for technical reference.

All information in this publication is provided for guidance only and is given
in good faith. As it is company policy to continually improve products,
methods and materials, changes of specification may be made from time
to time without prior notice. This statement does not affect your statutory
rights.